

NEDERLANDS

**Canon**  
**PowerShot A430**  
**PowerShot A420**  
DIGITAL CAMERA



- Voordat u de camera in gebruik neemt
- Opgnamen maken
- Afspelen/Wissen
- Afdruk- en verzendinstellingen
- Opgnamen maken/Afspelen op een televisie **A430**
- De camera-instellingen aanpassen **A430**
- Problemen oplossen
- Berichten
- Bijlagen

**Uitgebreide**  
**Gebruikershandleiding**

In deze handleiding worden de camerafuncties en het gebruik daarvan in de bijlage besproken.



**File Name:** Canon pc 430 manual.pdf

**Size:** 3106 KB

**Type:** PDF, ePub, eBook

**Category:** Book

**Uploaded:** 9 May 2019, 23:19 PM

**Rating:** 4.6/5 from 630 votes.

**Download Now!**

Please check the box below to proceed.



I'm not a robot



reCAPTCHA  
Privacy - Terms

## Book Descriptions:

# Canon pc 430 manual



Using the online preview, you can quickly view the contents and go to the page where you will find the solution to your problem with Canon PC 430. To start viewing the user manual Canon PC 430 on full screen, use the button Fullscreen. However, if you do not want to take up too much of your disk space, you can always download it in the future from ManualsBase. The option to print the manual has also been provided, and you can use it by clicking the link above Print the manual. You do not have to print the entire manual Canon PC 430 but the selected pages only. paper. If you want to quickly view the content of pages found on the following pages of the manual, you can use them. This product is designed to perform optimally when used with genuine Canon accessories. Canon shPlease be aware of this and take care when operating the camera for an extended period. About the LCD Monitor The LCD monitor is produced with extremely highprecision manufacturing techniques. More than 99.99% of the pixels operate to specification. Less than 0.01% of the pixels may occasionally misfire or appear as red or black dots. This has no effect on the recorded image and does noAs in the example below, the procedure can be performed in Auto, Manual, Stitch Assist or Movie mode. Using the Selftimer This mark denotes issues that may affect the camera's operation. This mark denotes additional topics that complement the basic operating procedures.Read This First. 7 Please Read. 7 Safety Precautions. 8 Preventing Malfunctions. 13 ComponentPlease note that Canon, its subsidiaries and affiliates, and its distributors are not liable for any consequential damages arising from any malfunction of a camera or accessory, including CF cards, that results in the failure of an image to be recorded or to be recorded in a formaImmediately turn the camera power off, remove the camera battery or unplug the power cable from the power outlet. Confirm that smoke or fume emissions have ceased.<http://www.speedski-cz.cz/userfiles/fckeditor/dslr-autofocus-vs-manual-focus.xml>

- **canon pc 430 manual, canon pc 430 manual, canon pc430 manual, canon pc430 manual.**

## Canovision 8

\* Use with MC-4B MECH. CHASSIS service manual (DY8-3391-501-201)  
for repairing of mech. chassis part.  
\* For lens and adaptors, refer to the service manuals issued separately.

# SERVICE MANUAL

## EX2HiE

(REF. NO. D16-0430)

8mm Video Camera & Recorder

PAL



DY8-1160-430-000  
© CANON INC. 1993

Canon Inc.  
Video Technical Service Dept.  
First Edition: Nov. 1993  
Printed in Japan

Failure to do so may result in fire and other hazards. High temperatures may also cause deformation of the casing. Exposure to strong magnetic fields may cause malfunctions or corrupt image data. Avoid Condensation Related Problems Moving the equipment rapidly between hot and cold temperatures may cause condensation water droplets to form on its external and internal surfaces. You can avoid this by placing the equipment in an airtight container. Insert the battery pack into the 1 battery charger. Align the battery pack according to the arrows on the battery and the charger. Insert the battery securely. Battery charger model names and types 2 vary by region. For CB2LS Plug the battery charger into a power outlet. Charge Indicator For CB. This page requires Javascript. Modify your browsers settings to allow Javascript to execute. See your browsers documentation for specific instructions. To install your download click on the name of the downloaded file. Please click below to find a quick resolution to your inquiry. Scroll down to easily select items to add to your shopping cart for a faster, easier checkout. Visit the Canon Online Store. You may download and use the Content solely for your personal, noncommercial use and at your own risks. Canon shall not be held liable for any damages whatsoever in connection with the Content, including, without limitation, indirect, consequential, exemplary or incidental damages. You shall also not and shall not let others reproduce, modify, reformat or create derivative works from the Content, in whole or in part. Available for All of the Canon PC 430 Copiers Canon PC 430 Stock 8006349329 Copier Parts, Canon PC 430 Copier Supplies, Canon PC 430 Copier Manuals, Are All Available. Call the World of Fax and Copiers Order Hotline at Leading Supplier of Canon PC 430 Copier parts. We Stock all parts for Canon PC 430. If you Call 8006349329 and we will help Thank you for your business. <http://miss29.ru/upload/dslr-auto-vs-manual.xml>

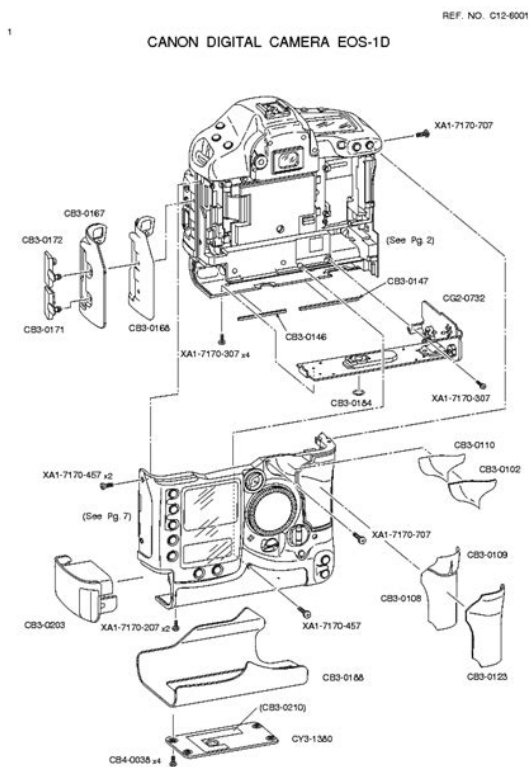


FIGURE 100 EXTERNAL COVER ASSY		FIGURE 101 INTERNAL COMPONENTS (1)	
NUM. PART #	DESCRIPTION	NUM. PART #	DESCRIPTION
100-1	RB1-3600-000 COVER SIDE	101-1	RG5-0703-000 FAN ASSY**
2	RB1-3807-000 COVER POWER CONNECTOR	1A	NOT AVAILABLE
3	RB1-3131-000 SHAFT HNGE	1B	RB1-3447-000 DAMPER RUBBER
4	RB1-3736-000 BUTTON LOCK	2	RG5-0699-040 ROLLER ASSY 1
5	RB1-3757-000 GUIDE LOCK BUTTON	2A	NOT AVAILABLE
6	RB1-3455-000 SPRING TORSION LEFT	2B	RB1-3047-000 COVER ROLLER 1
7	RB1-3456-000 SPRING TORSION RIGHT	2C	RB1-3048-000 ROLLER 1
8	RG5-0987-000 MAIN COVER ASSY	2D	RB1-3049-000 SHAFT ROLLER
8A	RF5-0785-000 COVER MAIN	2E	RB1-3050-000 SPRING TORSION
8B	RB1-3778-000 ARM LINE	2F	RB1-3051-000 CAP ROLLER 1
9	RG5-1021-000 TOP DOOR ASSY	3	NOT AVAILABLE
9A	RB1-3462-000 PIECE CHD PRESSURE	4	NOT AVAILABLE
9B	RS5-2240-000 SPRING COMPRESSION	5	RG5-1003-000 SHIELD PLATE ASSY
9C	RF5-0785-000 TOP DOOR	5A	RB1-3800-000 HOOK
9D	RB1-3728-000 BUTTON LINE	5B	RB1-3801-000 PIPE LIGHT
9E	RB1-3784-000 WINDOW DISPLAY	5C	NOT AVAILABLE
9F	RS5-2239-000 SPRING COMPRESSION	5D	NOT AVAILABLE
10	RG5-0989-040 BACK DOOR ASSY	6	RB1-3908-000 PLATE SMM COVER
10A	RB1-3789-000 DOOR SHCK	7	RG5-1002-000 TEST SWITCH LEVER ASSY
10B	RG5-1004-000 FLAPPER ASSY	7A	RB1-3813-000 HOLDER TEST SWITCH LEVER
10C	RB1-3138-000 SPRING TORSION	7B	RB1-3814-000 LEVER TEST SWITCH
10D	RB1-3137-000 FLAPPER	8	NOT AVAILABLE
11	RS5-2228-000 SPRING COMPRESSION	501	NOT AVAILABLE
12	RB1-3775-000 COVER PIPE		
13	RF5-0158-000 CORD POWER (100/120V)		
1C, 9A, 10C, 501, 502	NOT AVAILABLE		
N/A	RG5-1011-070 EXTERNAL COVER ASSY		

Canon PC 430 service manual, Canon PC 430 parts manual, Canon PC 430 owners manual tray, Canon PC 430 Maintenance Kit. Canon PC 430 Developer Unit, Canon PC 430 Bearing, Canon PC 430 Bearings, Canon PC 430 Bushing, Canon PC 430 Bushings. Canon PC 430 Belt, Canon PC 430 Blade, Canon PC 430 Blades, Canon PC 430 Drum Blade, Canon PC 430 Developer Blade, Canon PC 430 Clutch. Canon PC 430 Corona, Canon PC 430 Charge, Canon PC 430 Transfer belt, Canon PC 430 transfer corona Separation, Canon PC 430 Fan. Canon PC 430 Fuser, Canon PC 430 Fuser Roller, Canon PC 430 Heat Roller, Canon PC 430 Pressure. Roller, Canon PC 430 Upper Roller, Canon PC 430 Lower Roller, Canon PC 430 Thermistor, Canon PC 430. Thermostat, Canon PC 430 Picker. Finger, Canon PC 430 Picker Fingers, Canon PC 430 Lamp, Canon PC 430 Fuser Lamp, Canon PC 430 Heat Lamp, Canon PC 430 Thermal Fuse. Canon PC 430 Thermal. Switch, Canon PC 430 Fuser Assy, Canon PC 430 Fuser Unit, Canon PC 430 Fuser Unit, Canon PC 430 Fixing Unit. Canon PC 430 Fixing. Assembly, Canon PC 430 Fixing Assy, Canon PC 430 Heater Unit, Canon PC 430 Drum, Canon PC 430 Drum Unit. Canon PC 430 Cleaning. Blade, Canon PC 430 DV Unit, Canon PC 430 Developer Assembly, Canon PC 430 toner motor, Canon PC 430. Motor, Canon PC 430 Drive Motor, Canon PC 430 Drive Gear, Canon PC 430 Hear Roller Gear, Canon PC 430. Drive Assembly, Canon PC 430 Drive Unit, Canon PC 430 Drive Gear. Assembly, Canon PC 430 Idler Gear, Canon PC 430 Iear that Drives the Fuser, Canon PC 430 Spring. Canon PC 430 Feed. Roller, Canon PC 430 Pickup Roller, Canon PC 430 Registration Roller, Canon PC 430 Transfer Roller, Canon PC 430. Drum Only, Canon PC 430 Adf. Roller, Canon PC 430 Adf Pickup Roller, Canon PC 430 Adf Sep Roller, Canon PC 430 Adf Sep Pad, Canon PC 430 Adf Separator Pad. Canon PC 430 Adf Motor, Canon PC 430 Adf Gear, Canon PC 430 Adf Assembly, Canon PC 430 Adf Assy, Canon PC 430 Adf Feed Kit.

Canon PC 430 Adf Rebuild Kit, Canon PC 430 Fuser Rebuild Kit, Canon PC 430 Paper Feed Kit, Canon PC 430 Cassette Feed Kit. Canon PC 430 Cassette Rebuild Kit, Canon PC 430 Adf. Catch Tray, Canon PC 430 Receiving Catch Tray, Canon PC 430 Document Return Tray, Canon PC 430 Document Delivery Tray. Canon PC 430 Copy Output Tray, Canon PC 430 Receive Tray, Canon PC 430 Fax Tray, Canon PC 430 Transfer Assembly. Canon PC 430 Transfer Assy, Canon PC 430 Upper Roller, Canon PC 430 Upper Fuser Roller, Canon PC 430 HR Gear, Canon PC 430. Doc Feed Roller, Canon PC 430 Document Feed. Roller, Canon PC 430 Paper Pickup Roller, Canon PC 430 Paper

Feed Roller, Canon PC 430 Exit Roller, Canon PC 430. Exit. Assy, Canon PC 430 Exit. Assembly, Canon PC 430 Maintenance Kit, Canon PC 430 mtce tray, Canon PC 430 Fuser Maintenance Kit. Canon PC 430 Adf Maintenance Kit, Canon PC 430 Reset, Canon PC 430 Fuser Reset, Canon PC 430 Fax Machine Reset, Canon PC 430. Error Code, Canon PC 430 Fax. Error Code, Canon PC 430 copier code, Canon PC 430 reset code, Canon PC 430 Error Codes, Canon PC 430 Error 76. Canon PC 430 Error 77, Canon PC 430 Error 78, Canon PC 430 Error 22, Canon PC 430 Exposure, Canon PC 430 Lamp Scanner, Canon PC 430. Lamp. Scanner Bulb, Canon PC 430 CIS. Unit, Canon PC 430 Adf Scanner, Canon PC 430 Led Unit, Canon PC 430 Led Assembly. Canon PC 430 Scanner Unit, Canon PC 430 Scanner Assembly, Canon PC 430 Laser Scanner, Canon PC 430 Laser Scanner Unit. Canon PC 430 Print Head, Canon PC 430 oil roller, Canon PC 430 heat roller, Canon PC 430 exposure lamp, Copier Parts, Are All Available Call the World of Fax Order Hotline at. Please use the box above to search for any other information. Figure 4103D, on the control panel PCB allows three settings by the user. This is because the color toner used by different document densities in. Where Can I Recharge Rear.

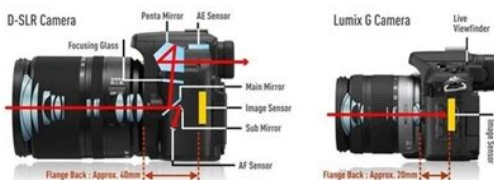


<http://gbb.global/blog/bosch-jigsaw-1587avs-manual>

Page 4 The following rules apply throughout this Service Manual  
 Page 5 CONTENTS  
 CONTENTS  
 Page 8 point of detection for cross feed direction..1020I. FEATURES.11. Page 12  
 CHAPTER 1 GENERAL DESCRIPTION  
 Page 13 CHAPTER 1 GENERAL DESCRIPTION  
 Page 14 CHAPTER 1 GENERAL DESCRIPTION  
 Page 15 CHAPTER 1 GENERAL DESCRIPTION  
 B. Cross Section  
 Page 20 CHAPTER 1 GENERAL DESCRIPTION. B. Making Copies  
 Page 21 CHAPTER 1 GENERAL DESCRIPTION  
 Page 22 CHAPTER 1 GENERAL DESCRIPTION. Manual Feeding  
 Page 23 CHAPTER 1 GENERAL DESCRIPTION. C. Jam Indicator  
 Page 24 CHAPTER 1 GENERAL DESCRIPTION  
 Page 26 CHAPTER 1 GENERAL DESCRIPTION. F. Changing the Density  
 Page 27 CHAPTER 1 GENERAL DESCRIPTION  
 Page 29 CHAPTER 1 GENERAL DESCRIPTION  
 Page 31 CHAPTER 2  
 Page 32 CHAPTER 2 BASIC OPERATION  
 Page 33 CHAPTER 2 BASIC

OPERATIONPage 34 CHAPTER 2 BASIC OPERATION. B. Outline of Electrical CircuitPage 35  
 CHAPTER 2 BASIC OPERATION. C. Basic Sequence of Operations A4, 2 copiesSTBY Between when  
 the copier Waits for a press on theD. Main Motor Control CircuitPage 38 CHAPTER 2 BASIC  
 OPERATION. E. Inputs to DC Controller. Page 39 CHAPTER 2 BASIC OPERATIONF. Outputs from  
 DC Controller. Page 41 CHAPTER 2 BASIC OPERATIONPage 43 CHAPTER 3 CHAPTER 3Page 44  
 CHAPTER 3 EXPOSURE SYSTEMPage 45 CHAPTER 3 EXPOSURE SYSTEM. A. Outline of Exposure  
 SystemPage 46 CHAPTER 3 EXPOSURE SYSTEMPage 48 CHAPTER 3 EXPOSURE SYSTEMPage 49  
 CHAPTER 3 EXPOSURE SYSTEMPage 50 CHAPTER 3 EXPOSURE SYSTEMPage 51 CHAPTER 3  
 EXPOSURE SYSTEM. II. Controlling the Scanning Lamp. A. OutlinePage 52 CHAPTER 3 EXPOSURE  
 SYSTEM. B. OperationsPage 53 CHAPTER 3 EXPOSURE SYSTEMA. Scanning System disengage B.  
 Copyboard Drive AssemblyPage 58 CHAPTER 4 IMAGE FORMATION SYSTEMPage 59 CHAPTER 4  
 IMAGE FORMATION SYSTEMPage 60 CHAPTER 4 IMAGE FORMATION SYSTEM. B. Sequence of  
 Image Formation Operations A4, 2 copiesC. Primary Charging Control CircuitPage 62 CHAPTER 4  
 IMAGE FORMATION SYSTEMPage 63 CHAPTER 4 IMAGE FORMATION SYSTEMD.

<http://jackson-pr.com/images/buick-terraza-service-manual.pdf>



Controlling Developing BiasPage 65 CHAPTER 4 IMAGE FORMATION SYSTEMPage 67 CHAPTER 4  
 IMAGE FORMATION SYSTEME. Transfer Charging Control CircuitPage 69 CHAPTER 4 IMAGE  
 FORMATION SYSTEMPage 73 CHAPTER 4 IMAGE FORMATION SYSTEMPage 77 CHAPTER 4 IMAGE  
 FORMATION SYSTEM. A. Photosensitive DrumPage 78 CHAPTER 4 IMAGE FORMATION SYSTEM. B.  
 Transfer Charging Roller B. Delivery Stationary JamD. PickUp Stationary JamA.PickUp Roller  
 AssemblyB. Registration Roller C. Removing the Separation qPage 97 CHAPTER 6 CHAPTER 6Page  
 98 CHAPTER 6 FIXING SYSTEMPage 99 CHAPTER 6 FIXING SYSTEMPage 100 CHAPTER 6 FIXING  
 SYSTEMB. Controlling the Fixing Heater TemperaturePage 102 CHAPTER 6 FIXING SYSTEMD.  
 Protection MechanismsPage 105 CHAPTER 6 FIXING SYSTEM. A. Fixing AssemblyPage 106  
 CHAPTER 6 FIXING SYSTEMPage 107 CHAPTER 6 FIXING SYSTEMPage 111 CHAPTER 7  
 CHAPTER 7B. Power Supply PCBA. External CoversB. Copyboard AssemblyD. Control Panel PCB  
 Page 127 CHAPTER 8 CHAPTER 8Page 128 CHAPTER 8 INSTALLATIONPage 129 CHAPTER 8  
 INSTALLATIONPage 131 CHAPTER 8 INSTALLATIONPage 132 CHAPTER 8 INSTALLATION. Step  
 Work Description. Page 133 CHAPTER 8 INSTALLATIONPage 134 CHAPTER 8 INSTALLATION.  
 Page 135 CHAPTER 9 CHAPTER 9I. Page 136 CHAPTER 9 MAINTENANCE AND SERVICINGPage  
 137 CHAPTER 9 MAINTENANCE AND SERVICINGPage 138 CHAPTER 9 MAINTENANCE AND  
 SERVICINGPage 139 CHAPTER 9 MAINTENANCE AND SERVICING. B. Storing and Handling  
 Unsealed CartridgesPage 140 CHAPTER 9 MAINTENANCE AND SERVICINGPage 141 CHAPTER 9  
 MAINTENANCE AND SERVICINGPage 142 CHAPTER 9 MAINTENANCE AND SERVICING. Page  
 143 CHAPTER 10 CHAPTER 10Page 145 Guide to the Troubleshooting TablePage 149 CHAPTER 10  
 TROUBLESHOOTINGPage 150 CHAPTER 10 TROUBLESHOOTING. B. ElectricalPage 151 CHAPTER  
 10 TROUBLESHOOTINGPage 152 CHAPTER 10 TROUBLESHOOTINGPage 153 CHAPTER 10  
 TROUBLESHOOTINGPage 154 CHAPTER 10 TROUBLESHOOTINGPage 155 CHAPTER 10  
 TROUBLESHOOTINGPage 156 CHAPTER 10 TROUBLESHOOTINGPage 158 CHAPTER 10  
 TROUBLESHOOTINGPage 159 CHAPTER 10 TROUBLESHOOTING.





Page 160 CHAPTER 10 TROUBLESHOOTING. B. Samples of Image FaultsC. Troubleshooting by Image FaultPage 163 CHAPTER 10 TROUBLESHOOTINGPage 164 CHAPTER 10 TROUBLESHOOTINGCopy paper. Page 165 CHAPTER 10 TROUBLESHOOTINGPage 166 CHAPTER 10 TROUBLESHOOTINGCopyboard rail 1 Is. Page 167 CHAPTER 10 TROUBLESHOOTINGPage 168 CHAPTER 10 TROUBLESHOOTINGPage 170 CHAPTER 10 TROUBLESHOOTINGPage 172 CHAPTER 10 TROUBLESHOOTINGMain motor M1 1. Page 173 CHAPTER 10 TROUBLESHOOTINGPage 174 CHAPTER 10 TROUBLESHOOTINGPage 175 CHAPTER 10 TROUBLESHOOTINGPage 177 CHAPTER 10 TROUBLESHOOTING. B. Feeding FaultsPage 178 CHAPTER 10 TROUBLESHOOTINGB. SwitchesPage 180 CHAPTER 10 TROUBLESHOOTING. C. Lamp, Heater, Motor, and OthersPage 181 CHAPTER 10 TROUBLESHOOTING. D. Printed Circuit Board PCB E. Variable Resistors VR and Check Pins by PCBPage 183 CHAPTER 10 TROUBLESHOOTINGPage 186 CHAPTER 10 TROUBLESHOOTING. Page 187 APPENDIX APPENDIXPage 190 APPENDIXPage 191 APPENDIXPage 195 APPENDIX. No. Name Uses Composition Remarks. Page 196 Prepared by. Please check your inbox, and if you can't find it, check your spam folder to make sure it didnt end up there. Please also check your spam folder. Therefore, the operations of the microprocessors used in the machines are not discussed they are explained in terms of from sensors to the input of the DC controller PCB and from the output of the DC controller PCB to the loads. The user need no more than replace the cartridge and perform simple cleaning to maintain the copier in top condition. Taking advantage It can easily substitute A press on the Copy Start The copy count displays the initial count. According to the program stored in advance, the microprocessor reads input signals from the control keys, and generates signals to drive such loads as motors, solenoids, and lamps, as necessary. Clock pulses MMCLK corresponding to the revolution of the motor are generated while the motor is rotating.

The speed control circuit controls the speed of the motor with reference to these clock pulses. Figure 3101B illustrates the movement of the copyboard. To calculate the overall star rating and percentage breakdown by star, we don't use a simple average. Instead, our system considers things like how recent a review is and if the reviewer bought the item on Amazon. It also analyzes reviews to verify trustworthiness. See All Buying Options Add to Wish List Disabling it will result in some disabled or missing features. You can still see all customer reviews for the product. I have used a PC400 for over 12 years it still works and recently bought the PC430 due to Canon discontinuing the 400 series in favor of the pathetic PC170, which I do not want when my PC400 finally dies. Multifunction lazar printers that can scan and produce copies more quickly are available for about the same initial cost today, but none are easier to use or maintain than the Canon PC430. This is fine

for a few copies. Please try again later. John Dunning 5.0 out of 5 stars I have used a PC400 for over 12 years it still works and recently bought the PC430 due to Canon discontinuing the 400 series in favor of the pathetic PC170, which I do not want when my PC400 finally dies. Multifunction laser printers that can scan and produce copies more quickly are available for about the same initial cost today, but none are easier to use or maintain than the Canon PC430. Please try again later. Please try again later. Big Julius 5.0 out of 5 stars I like the fact that it can create multiple copies. Its a little old fashioned with the moving platen, but its very quiet, and it makes excellent copies. I also like the compact size, and the instant on. It does exactly what was promised, and for home use it serves my need for an occasional good clean copy very well. Please try again later. Please try again later. Prospector1938 4.0 out of 5 stars Please try again later. Please try again later. Barbara K. Finch 5.

<https://rescue.bg/wp-content/plugins/formcraft/file-upload/server/content/files/16271d52ba086c---br aun-gloria-camera-manual.pdf>

0 out of 5 stars It is easy for me to use. I had my old Canon copier for a lot of years and when it wouldnt work anymore, I was so disappointed but my son found this one and was sure it was just what I wanted so I ordered it and it came in just a few days. I had no problem setting it up and it works great. It is in a price range that I can afford and am just so pleased that I have this copier. Please try again later. Please try again later. Amazon Customer 5.0 out of 5 stars Please try again later. Please try again later. George Raimondo 4.0 out of 5 stars Paper feed tray much more convenient than a single sheet model. To copy on both sides of a paper is a little awkward. Knowing which way to flip the paper over and refeed it for a back of the sheet page 2 thats rightside up to the first page often results in having to run a second copy to get it right. Copier should have a simple instruction visible on the unit itself when operating. I use an ink marker. Replacement toners are expensive. Please try again later. Please try again later. J. Such 5.0 out of 5 stars Please try again later. Please try again later. Elizabeth Edens 3.0 out of 5 stars This is fine for a few copies. Please try again later. Please try again later. HowardK 4.0 out of 5 stars I would pay extra for a cassette to hold paper, but Im not going to complain very much because the copies are really high quality. Please try again later. Please try again later. gaopa 4.0 out of 5 stars This copier is a good value for the money. Please try again later. Please try again later. Reman Toner Cartridge for Canon PC745 PC750 PC760 PC770 PC775Black. Would you like to try it too Please try again later. Discover everything Scribd has to offer, including books and audiobooks from major publishers. Start Free Trial Cancel anytime. Report this Document Download Now save Save Canon PC 420 Personal Copier Technical Specificati.

<BANGTUTRANG.COM/upload/files/bosch-uk-washing-machine-manual.pdf>

For Later 0% 0% found this document useful, Mark this document as useful 0% 0% found this document not useful, Mark this document as not useful Embed Share Print Download Now Jump to Page You are on page 1 of 47 Search inside document Browse Books Site Directory Site Language English Change Language English Change Language. We look forward to your challenge! In commemoration of this milestone, we have created a special website celebrating its 50year history. Gen3 office multifunction devices. You may have to register before you can post click the register link above to proceed. To start viewing messages, select the forum that you want to visit from the selection below. And by having access to our ebooks online or by storing it on your computer, you have convenient answers with Canon Ntsc Dc20 Manual. To get started finding Canon Ntsc Dc20 Manual, you are right to find our website which has a comprehensive collection of manuals listed. Our library is the biggest of these that have literally hundreds of thousands of different products represented. I get my most wanted eBook Many thanks If there is a survey it only takes 5 minutes, try any survey which works for you.



<https://www.becompta.be/emploi/bosch-jigsaw-1587avs-manual>